



ALUMINIUM WINDOWS & DOORS

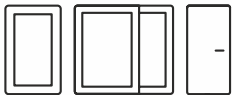


TABLE OF CONTENTS

UNIQUE RANGE OF ALUMINIUM	03
A UNIQUE CONCEPT WITH 3 DISTINCTIVE FEATURES	07
SMART COLOURS	08
DRAINAGE	11
WINDOWS	12
Decalu88 Standard	12
Decalu94 Retro	14
Decalu110 Steel	16
Decalu88 New Steel	18
Decalu88 Hidden	20
Decalu88 Open-Out	22
Decalu101 Scand	24
DOORS	26
Decalu88 Doors	26
Decalu88 Folding Doors	28
SLIDING WINDOWS	30
Decalu163 Slide	30
Panel doors	32
WESTA	36
QUALITY CONTROL	38

UNIQUE RANGE OF ALUMINIUM

Based on the innovative So Easy technology

Efficiency, user-friendliness, technical performance and design possibilities.

Deceuninck presents the new collection of Decalu products, based on Those four pillars

What does DECALU mean? DECALU is groundbreaking, energy-efficient, comprehensive line of aluminium products fully developed on the basis of the innovative, patented So Easy technology.

Comprehensive high-performance product range

Deceuninck's Decalu line is unique in the market thanks to the integration of techniques also used in the production of our pvc profiles.

- + The drainage is hidden in the frame, which results in an aesthetic upgrade.
- + Gaskets pre-inserted in the profiles significantly make fabrication easier and faster

Reducing the number of elements to only 4-5 required to make a single-leaf window (with 10-14 elements in competitive products) reduces the required inventory and shortens the production time of aluminum elements by up to 50%.

All DECALU systems provide excellent insulation performance.

THE BASIC PRINCIPLES OF DECALU :

- + gaskets integrated with the profiles
- + production time shortened by up to 50%
- + simple and unique installation of the glazing bead
- + hidden drainage
- + reduced number of elements
- + an exceptional aesthetic and slim design
- + additional outer gasket
- + unique centre seal



Simplified design, more possibilities

DECALU is distinguished by its unique design and new design possibilities while reducing and simplifying warehouse and production processes. The folding and sliding door constructions while open allows you to fully enjoy the external space when doors are closed, they perfectly insulate the interior.

The range of lines in industrial and renovation look ensures the uniqueness of the fitted metalwork. Each line is visually different, but all based on the same revolutionary technology -So Easy technology.

Windows

- + **Decalu88 Standard**
Timeless style and a classic line. The elegant, neutral look of the profiles perfectly emphasises the character of the building. Decalu 88 Standard is used both during the implementation of new construction projects and the renovation of older buildings.
- + **Decalu94 Retro**
Retro style house? Now it's possible thanks to profiles with classic groove details. The Retro series is the perfect solution when e.g. building a country house or renovating a stylish residence.
- + **Decalu110 Steel**
This line is inspired by an industrial trend. The expressive character of the profiles will add originality to both modern lofts and industrial or office buildings.
- + **Decalu88 New Steel**
Steel look in a additional dimension. Extremely slim line visually New Steel guarantees exceptional final effect and excellent thermal parameters.
- + **Decalu88 Hidden**
In the Hidden serie, the sash is completely hidden behind the frame. The hidden sash is the best solution for discrete, minimalist construction projects.

Doors

- + **Decalu88 Doors**
System designed on the basis of patented technology of compensating thermal strips. Its solutions include, among others: two visual lines - flat, extremely slim and industrial "Steel", door frame with the possibility of LED backlight and infrared barrier assembly, wide range of panel solutions, visually beautiful interior of profiles and slender hinges.
- + **Decalu88 Folding doors**
The folding door profile is an intelligent solution that allows the save the space and ensure maximum lighting for interior, without compromising their energy efficiency. Opening the door removes the border between inside and outside

Sliding doors

- + **Decalu163 Slide**
If you want to gain the space and excellent interior lightening, sliding systems are the best solution. Slim Decalu profiles provide unlimited visibility and allow the creation of the largest glazed surfaces.





Combine aluminium and pvc without compromise

Decalu and Elegant: a perfect match

The groundbreaking aluminium Decalu series are a response to market interest in new solutions and complements pvc products perfectly. Deceuninck strongly believes in a future where aluminium and PVC play a complementary role. How? By combining the best of both in one application.

Efficiency and design goes hand in hand

Elegant profiles (premiere 2020), as a PVC solution stand out with their impressive design and thanks to the slim line they can go hand in hand with aluminum products. **Decalu are aluminium systems with optimal insulation features and production simplifications, without jeopardising the typical aluminium look.** Common for both are also the rules of mounting glazing clips, gaskets integrated in profiles and hidden drainage.

The technology behind both systems has been conceived in such a manner that the **difference between Decalu and Elegant is almost impossible to see.** Tune with each other thanks to Smart Colours. An architect can therefore combine aluminium and pvc solutions flawlessly in the same project.

This match has numerous advantages for the manufacturer as well.

- + Easy maintenance of Decalu and Elegant frames
- + Significantly reduced number of components required to production,
- + The uniform system used to build the Decalu series allows for the production of different designs on the same machines.

As the new Decalu system consists of only three.

Reducing the number of components needed to produce the window (even 4-5 elements, compared to the competition 10-14) perfectly shows the essence of So Easy technology, which is basis of Decalu solutions. With So Easy technology the manufacturer gains at least 50% production time.*

The Decalu - Elegant combination offers you more choice without increasing complexity.

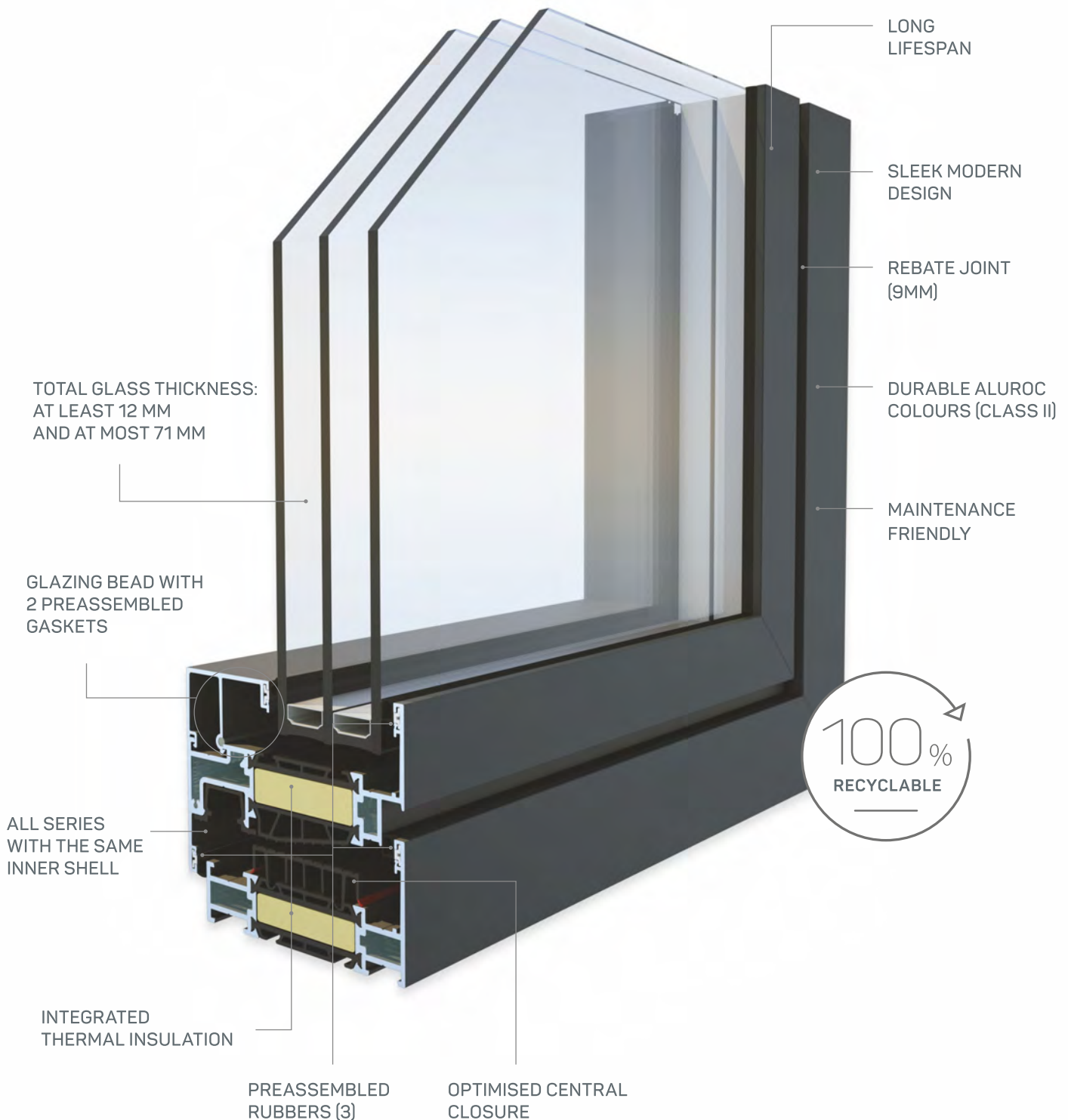
* window dimensions: DK1200 x 1400 (WXH)



Deceuninck aluminium

Unique concept with 3 distinctive features

- One inner frame with an identical middle section and slim profiles
- Sash and glazing bead with preassembled gaskets in frame, sash and glazing beads
- Integrated thermal insulation with in the profiles



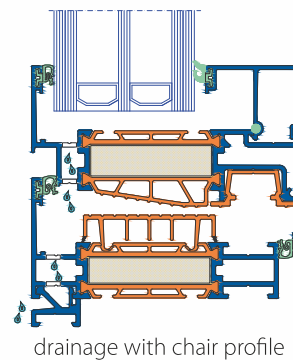
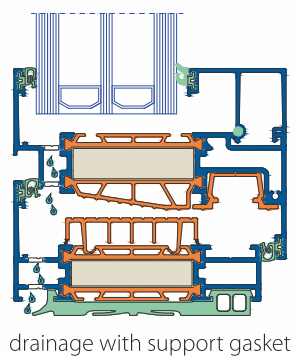
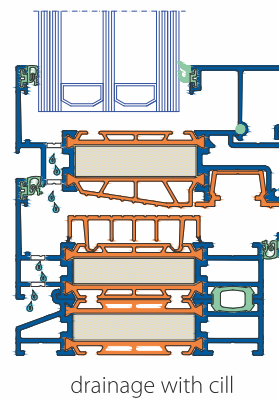
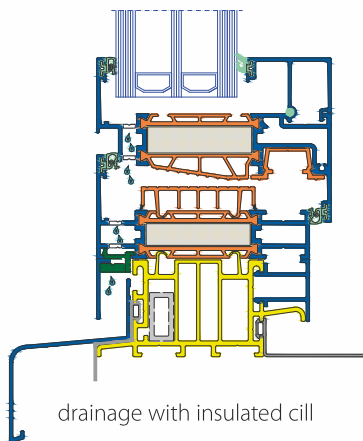
DRAINAGE



Hidden, invisible drainage can be made in all Decalu window systems. In addition the system has a series of window-sill and ground-based solutions ensuring tight of window contacts with the structure and insulation of the building according to the principles of so-called "warm assembly".

SILLS

Available in various sizes (50-400mm) and overhangs (25-40mm)



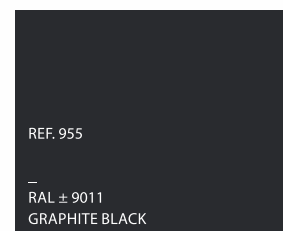
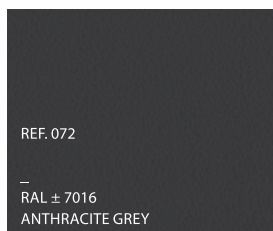
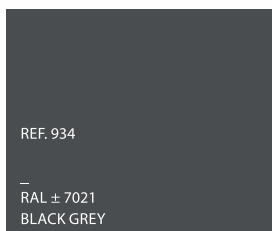
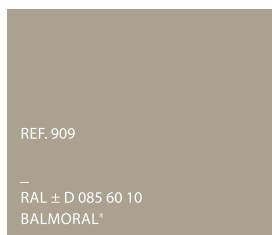
Colour is essential for the atmosphere and appearance of a building. It has to fit in with the other elements of the facade.

At Deceuninck, we strive for 'material neutrality'. This vision inspired us to develop the Smart Colours principle for our range of coatings.

The colours mentioned below are available in Aluroc and Decoroc and can be combined for the entire Deceuninck range of products, including Tunal products.

The 16 colours mentioned below meet the requirements of QualiCoat class II while other RAL colours are available in class I.

The Smart Colours principle enables architects and clients to effortlessly combine pvc and aluminium in one project.



(*) Deze kleur behoort tot de RAL design kleurcollectie

Smart Colours 2019-2020

A fitting colour scheme for any lifestyle

Looking for windows with an edgy look or do you prefer a rustic finish?
 With Smart Colours, Deceuninck offers something for every taste.
 Get inspired by the wide range of colours we have on offer.

16 trendy colours

Deceuninck always strives for a range of colours that is up-to-date with the latest trends. Based on market research, we selected 16 RAL colours that fit in perfectly with contemporary home decoration trends. We offer options for both industrial and rural homes, ranging from stone grey and steel blue to light ivory.

REF. 003 — RAL ± 9016 TRAFFIC WHITE	REF. 096 — RAL ± 9001 CREAM WHITE	REF. 078 — RAL ± 1015 LIGHT IVORY	REF. 906 — RAL ± 9006 WHITE ALUMINIUM
REF. 909 — RAL ± D085 60 10 BALMORAL'	REF. 935 — RAL ± 7030 STONE GREY	REF. 910 — RAL ± 7023 CONCRETE GREY	REF. 068 — RAL ± 7039 QUARTZ GREY
REF. 901 — RAL ± 7031 BLUE GREY	REF. 067 — RAL ± 7022 UMBRA GREY	REF. 076 — RAL ± 3005 WINE RED	
REF. 934 — RAL ± 7021 BLACK GREY	REF. 072 — RAL ± 7016 ANTHRACITE GREY	REF. 079 — RAL ± 5011 STEEL BLUE	REF. 955 — RAL ± 9011 GRAPHITE BLACK



Cabin fever



REF. 068 / RAL ± 7039
QUARTZ GREY

REF. 096 / RAL ± 9001
CREAM

contemporary edge



REF. 072
RAL ± 7016
ANTHRACITE GREY

REF. 934
RAL ± 7021
BLACK GREY

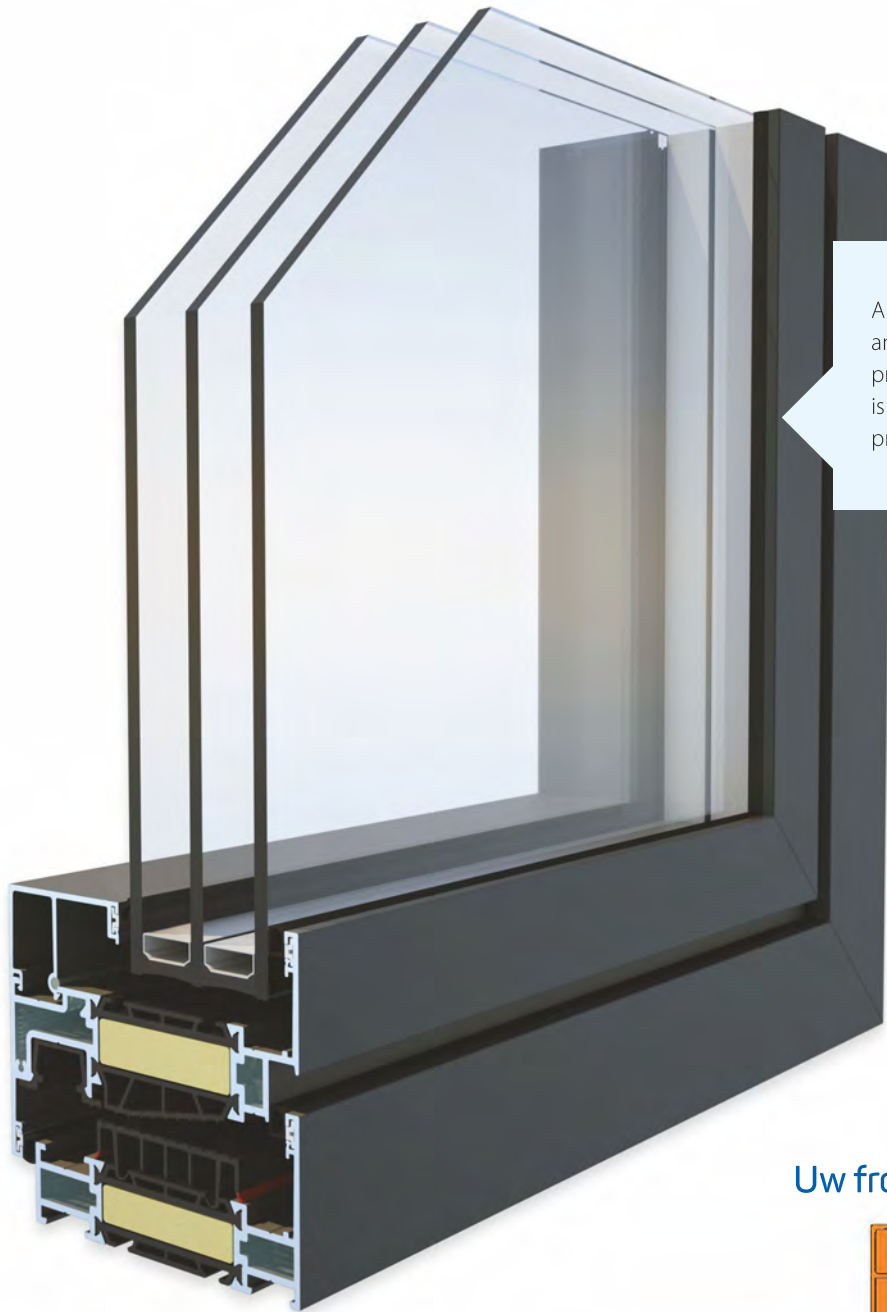
MIX & MATCH

Our colour collections Aluroc and Decoroc are completely attuned to each other thanks to the Smart Colours principle. The range of 16 colours can be applied on all profiles in both aluminium and pvc without the slightest difference in colour.

Combine joinery elements by Deceuninck, Deceuninck Aluminium and Tunal effortlessly and get the most out of a building project in terms of quality, budget and design.

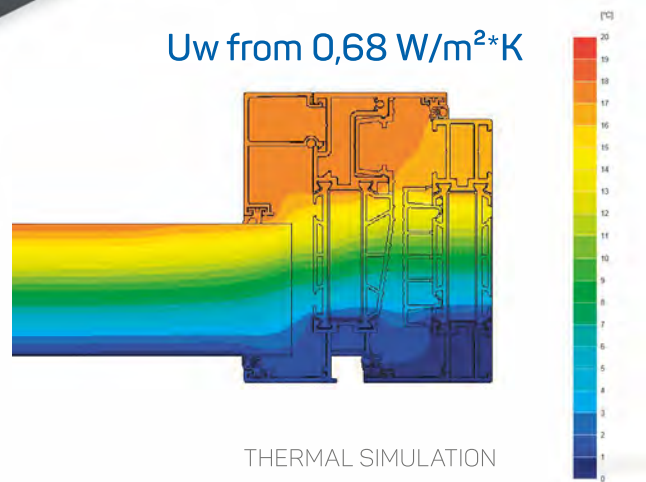
DECALU88 STANDARD

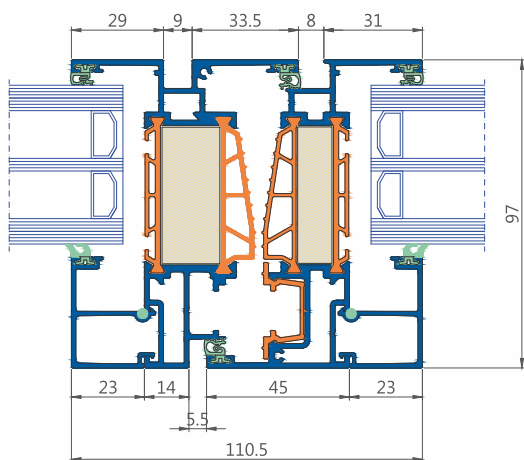
A timeless solution for modern projects



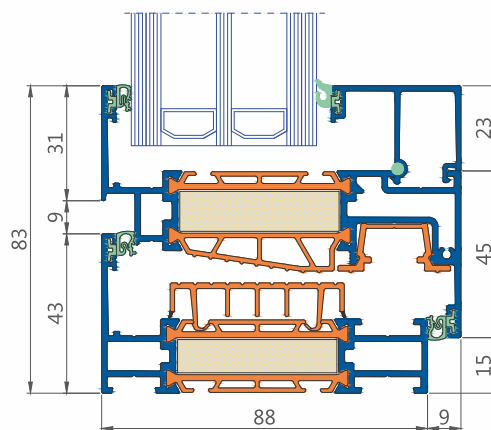
A flat exterior with a modern and timeless look & feel. The slim profiles ensure that this series is ideal for both contemporary projects and renovations.

Uw from 0,68 W/m²*K





horizontal section



vertical section

Technical performance		Decalu88 Standard
TEST	GLAZING	VALUE (SASH + FRAME)
PN-EN ISO 10077-1	Double glazing	U _g = 1.1 W/m ² K U _g = 1.0 W/m ² K
	Triple glazing	U _g = 0.6 W/m ² K U _g = 0.4 W/m ² K
Air permeability	PN-EN 12207	class 4
Watertightness	PN-EN 12208	E2250
Wind resistance	PN-EN 12210	class C5
Operating forces	PN-EN 13115	Class 1
Incorrect use	PN-EN 13115	Class 3
Acoustic value	88.2/16/6/16/66.2	PN-EN 20140-3:1999 - R _w 47(-1;-2)

Technical characteristics	Decalu88 Standard
Frame installation depth	88mm
Sash installation depth	97mm
Hardware	16mm
Rebate height	23mm
Glazing bead height	23mm
Possible glass thickness	12-71mm
Internal visible height of the frame	20mm, 34mm, 48mm, 89mm
External visible height of the frame	43mm, 57mm, 71mm, 112mm
External visible height of the transom	66mm, 80mm, 94mm
Exterior	frame and sash profile flush-mounted
Interior	rebated and flush-mounted possible
Central gasket	ABS integrated
Glazing rubbers	TPE
Alloy	EN AW 6060 T66
Thermal break	Abs 49mm

(*) U-Value calculated on the basis of a tilt and turn window measuring 1.23 x 1.48 m (WxH)
 All other standardised classifications performed on a tilt and turn window measuring 1.23 x 1.48 m (WxH)
 Window with 2 suspension points and 6 locking points

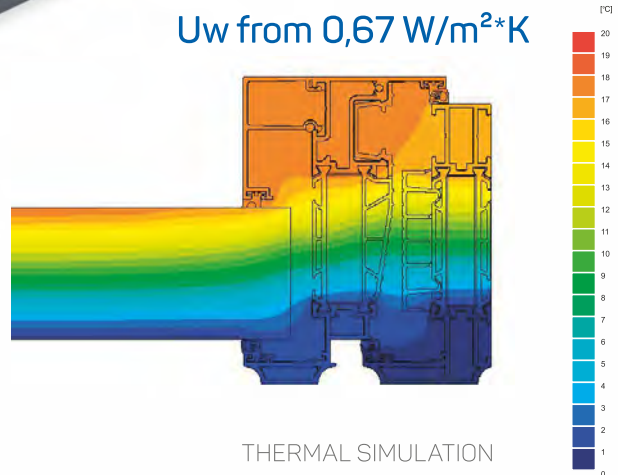
DECALU94 RETRO

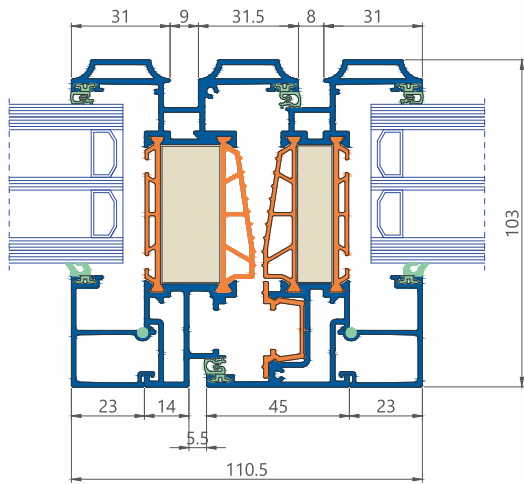
Rustic alternative for low-energy homes



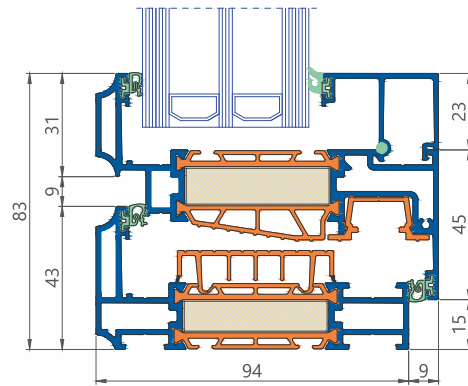
The deep curves of the external profiles aesthetically provide the windows with a rustic retro look. The style of this line is inspired by the appearance of wooden English windows.

Uw from 0,67 W/m²*K





horizontal section



vertical section

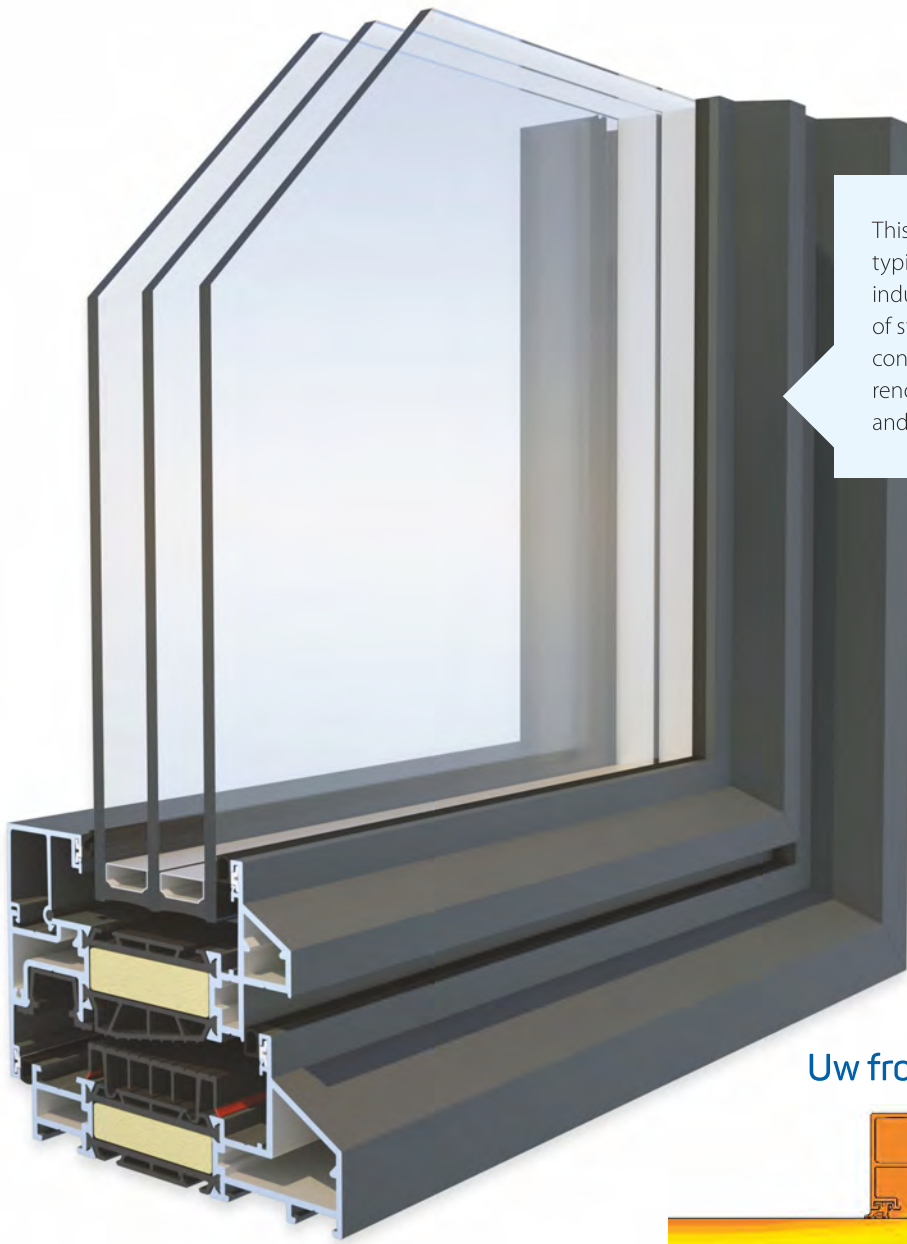
Technical performance		Decalu94 Retro	
TEST	GLAZING		VALUE (SASH + FRAME)
PN-EN ISO 10077-1	Double glazing	U _g = 1.1 W/m ² K U _g = 1.0 W/m ² K	U _w = 1.27 W/m ² K * U _w = 1.21 W/m ² K *
	Triple glazing	U _g = 0.6 W/m ² K U _g = 0.4 W/m ² K	U _w = 0.82 W/m ² K * U _w = 0.67 W/m ² K *
Air permeability	PN-EN 12207		class 4
Watertightness	PN-EN 12208		E2250
Wind resistance	PN-EN 12210		class C5
Operating forces	PN-EN 13115		class 1
Incorrect use	PN-EN 13115		Class 3
Acoustic value	88.2/16/6/16/66.2		PN-EN 20140-3:1999 - R _w 47(-1;-2)

Technical characteristics	Decalu94 Retro
Frame installation depth	94mm
Sash installation depth	103mm
Hardware	16mm
Rebate height	25mm
Glazing bead height	23mm
Possible glass thickness:	12-71mm
Internal visible height of the frame	20mm, 34mm
External visible height of the frame	43mm, 57mm
External visible height of the transom	66mm
Exterior	frame and sash profile flush-mounted
Interior	sash profile surface-mounted
Central gasket	ABS integrated
Glazing rubbers	TPE
Alloy	EN AW 6060 T66
Thermal break	Abs 49mm

(*) U-Value calculated on the basis of a tilt and turn window measuring 1.23 x 1.48 m (WxH)
 All other standardised classifications performed on a tilt and turn window measuring 1.23 x 1.48 m (WxH)
 Window with 2 suspension points and 6 locking points

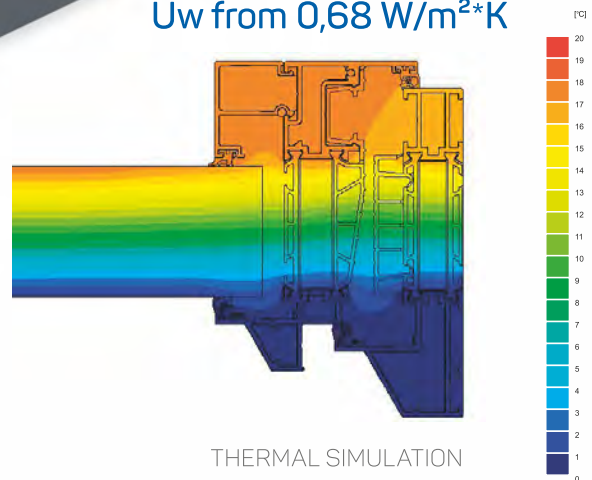
DECALU110 STEEL

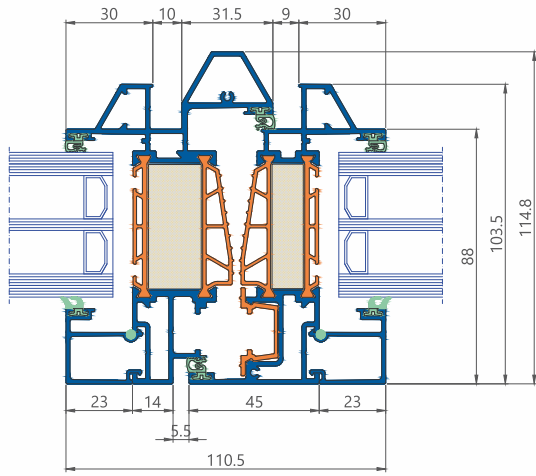
Create the industrial loft feeling



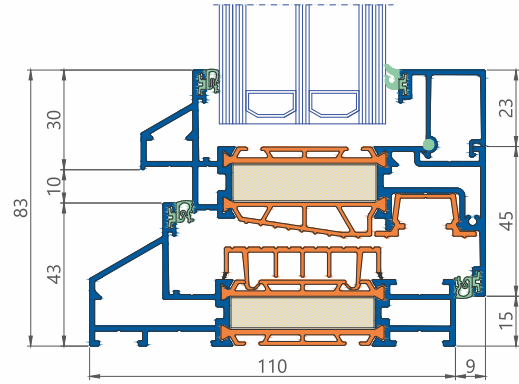
This series creates the 'steel look' typical of the architecture of old industrial buildings. The imitation of steel windows is ideal for new contemporary homes and for the renovation of existing buildings and lofts.

Uw from 0,68 W/m²*K





horizontal section



vertical section

Technical performance		Decalu110 Steel
TEST	GLAZING	VALUE (SASH + FRAME)
PN-EN ISO 10077-1	Double glazing	U _g = 1.1 W/m ² K U _g = 1.0 W/m ² K
	Triple glazing	U _g = 0.6 W/m ² K U _g = 0.4 W/m ² K
Air permeability	PN-EN 12207	class 4
Watertightness	PN-EN 12208	E2250
Wind resistance	PN-EN 12210	class C5
Operating forces	PN-EN 13115	Class 1
Incorrect use	PN-EN 13115	Class 3
Acoustic value	88.2/16/6/16/66.2	PN-EN 20140-3:1999 - R _w 47(-1;-2)

Technical characteristics	Decalu110 Steel
Frame installation depth	110mm
Sash installation depth	103.5mm
Hardware	16mm
Rebate height	25mm
Glazing bead height	23mm
Possible glass thickness:	12-62mm
Internal visible height of the frame	20mm, 34mm
External visible height of the frame	43mm, 57mm
External visible height of the transom	66mm
Exterior	frame and sash profile flush-mounted
Interior	sash profile surface-mounted
Central gasket	ABS integrated
Glazing rubbers	TPE
Alloy	EN AW 6060 T66
Thermal break	Abs 49mm

(*) U-Value calculated on the basis of a tilt and turn window measuring 1.23 x 1.48 m (WxH)
 All other standardised classifications performed on a tilt and turn window measuring 1.23 x 1.48 m (WxH)
 Window with 2 suspension points and 6 locking points

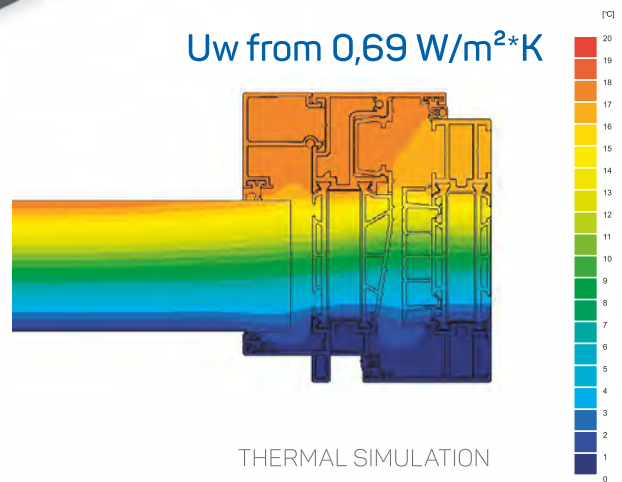
DECALU88 NEW STEEL

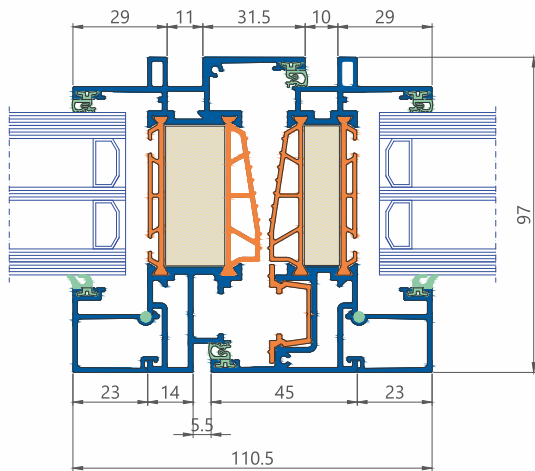
Minimalistic, industrial line



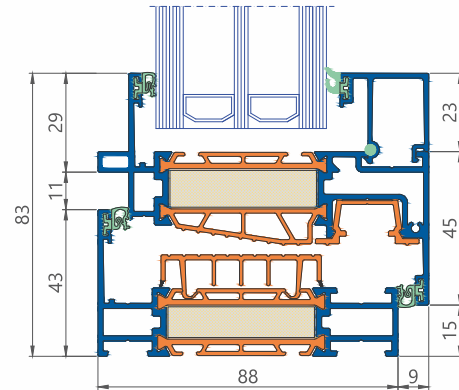
An innovative version of the steel look for a modernist and architecturally refined design.

Uw from 0,69 W/m²*K





horizontal section



vertical section

Technical performance		Decalu88 New Steel
TEST	GLAZING	VALUE (SASH + FRAME)
PN-EN ISO 10077-1	Double glazing	U _g = 1.1 W/m ² K U _g = 1.0 W/m ² K
	Triple glazing	U _g = 0.6 W/m ² K U _g = 0.4 W/m ² K
Air permeability	PN-EN 12207	class 4
Watertightness	PN-EN 12208	E2250
Wind resistance	PN-EN 12210	class C5
Operating forces	PN-EN 13115	Class 1
Incorrect use	PN-EN 13115	Class 3
Acoustic value	88.2/16/6/16/66.2	PN-EN 20140-3:1999 - R _w 47(-1;-2)

Technical characteristics	Decalu88 New Steel
Frame installation depth	88mm
Sash installation depth	97mm
Hardware	16mm
Rebate height	25mm
Glazing bead height	23mm
Possible glass thickness:	12-62mm
Internal visible height of the frame	20mm, 34mm, 48, 89mm
External visible height of the frame	43mm, 57mm, 71mm, 112mm
External visible height of the transom	66mm, 80mm, 94mm
Exterior	frame and sash profile flush-mounted
Interior	sash profile surface-mounted
Central gasket	ABS integrated
Glazing rubbers	TPE
Alloy	EN AW 6060 T66
Thermal break	Abs 49mm

(*) U-Value calculated on the basis of a tilt and turn window measuring 1.23 x 1.48 m (WxH)
 All other standardised classifications performed on a tilt and turn window measuring 1.23 x 1.48 m (WxH)
 Window with 2 suspension points and 6 locking points

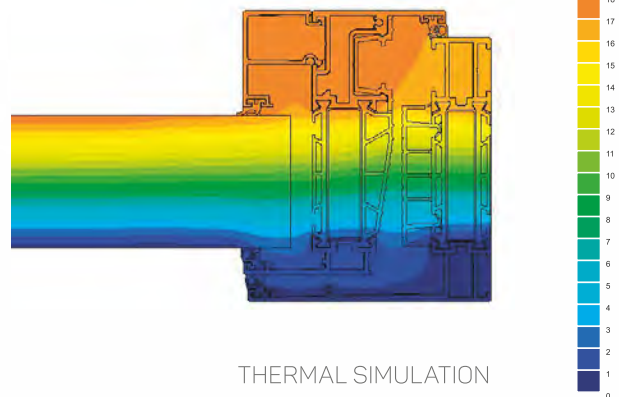
DECALU88 HIDDEN

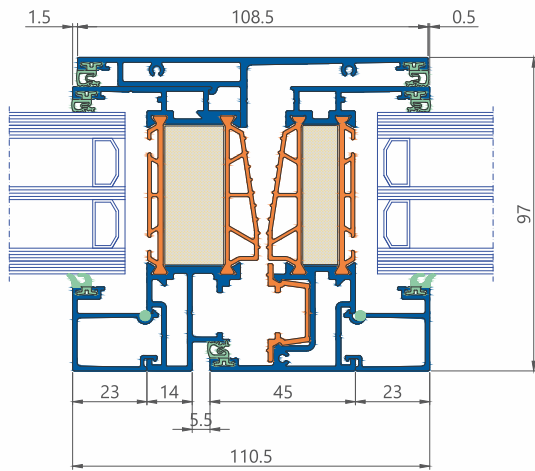
Ultra-slim profile- beauty of simplicity



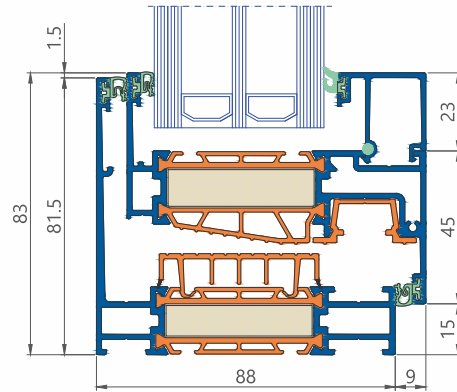
In the hidden profile, the sash is concealed by the aluminium frame. From the outside there is no more distinction between frame and sash. This series is perfectly suited for use in ultra-modern projects.

U_w from 0,66 W/m²*K





horizontal section



vertical section

Technical performance		Decalu88 Hidden	
TEST	GLAZING		VALUE (SASH + FRAME)
PN-EN ISO 10077-1	Double glazing	U _g = 1.1 W/m ² K U _g = 1.0 W/m ² K	U _w = 1.24 W/m ² K * U _w = 1.17 W/m ² K *
	Triple glazing	U _g = 0.6 W/m ² K U _g = 0.4 W/m ² K	U _w = 0.82 W/m ² *K U _w = 0.66 W/m ² K *
Air permeability	PN-EN 12207		class 4
Watertightness	PN-EN 12208		E2400
Wind resistance	PN-EN 12210		class C5
Operating forces	PN-EN 13115		class 1
Incorrect use	PN-EN 13115		Class 3
Acoustic value	88.2/16/6/16/66.2		PN-EN 20140-3:1999 - R _w 47(-1;-2)

Technical characteristics	Decalu88 Hidden
Frame installation depth	88mm
Sash installation depth	88mm
Hardware	16mm
Rebate height	25mm
Glazing bead height	23mm
Possible glass thickness:	12-62mm
Internal visible height of the frame	20mm
External visible height of the frame	81.5mm
External visible height of the cross beam	104.5mm, 157mm
Exterior	flat
Interior	sash profile surface-mounted
Central gasket	ABS integrated
Glazing rubbers	TPE
Alloy	EN AW 6060 T66
Thermal break	Abs 49mm

(*) U-Value calculated on the basis of a tilt and turn window measuring 1.23 x 1.48 m (WxH)
 All other standardised classifications performed on a tilt and turn window measuring 1.23 x 1.48 m (WxH)
 Window with 2 suspension points and 6 locking points

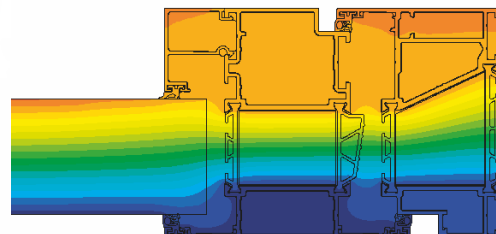
DECALU88 OPEN-OUT

The outward opening sash



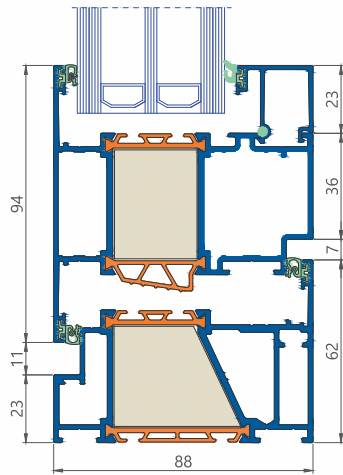
Windows that open outwards are used in office buildings, public buildings and usually installed in high curtain walls. They can be opened with a handle or- wherever access is difficult- by electric actuators integrated with central access control. An important feature of the system is the possibility of venting and smoke removal of buildings. DECALU88 Open-Out is appreciated due to its modern and elegant design.

Uw from 0,81 W/m²*K



THERMAL SIMULATION





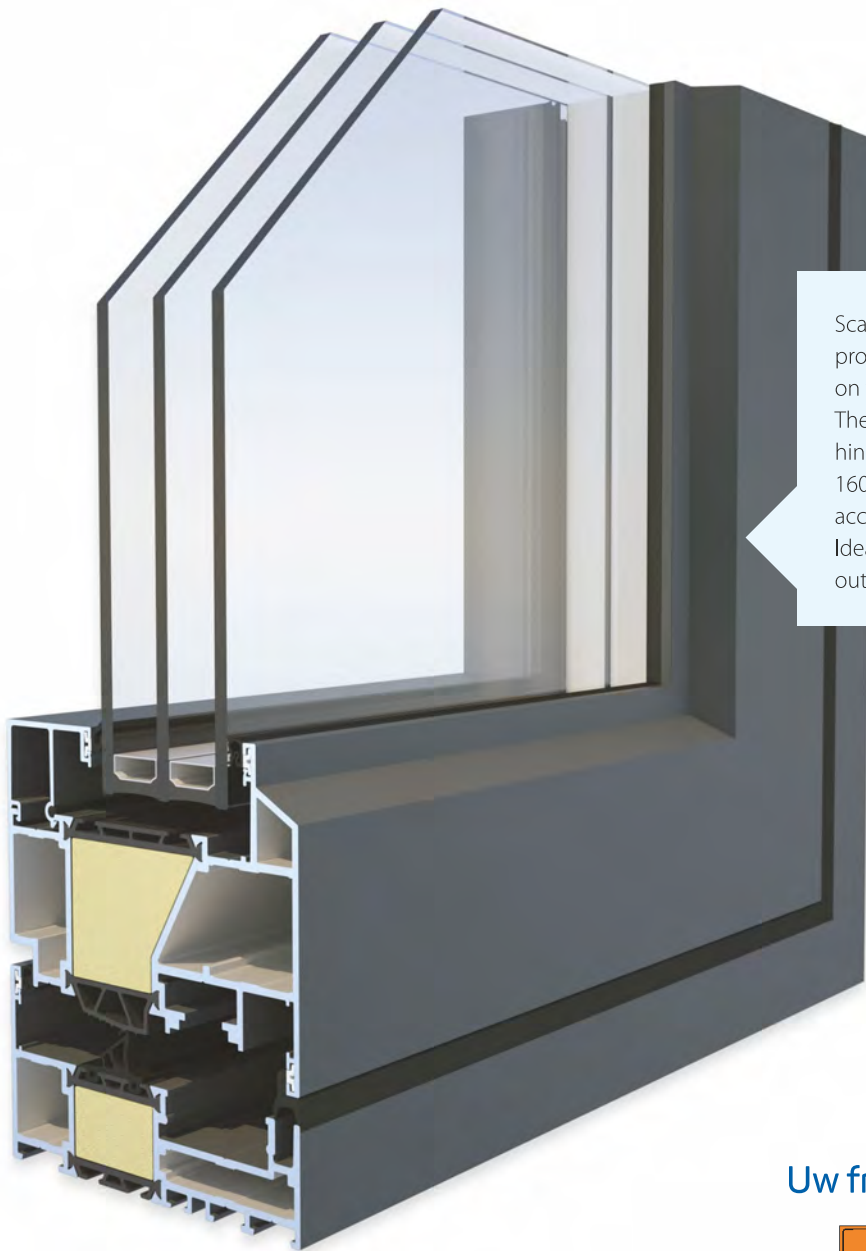
horizontal section

Technical performance		Decalu88 Open-Out
TEST	GLAZING	VALUE (SASH + FRAME)
PN-EN ISO 10077-1	Double glazing	U _g = 1.1 W/m ² K U _g = 1.0 W/m ² K
	Triple glazing	U _g = 0.6 W/m ² K U _g = 0.4 W/m ² K
Air permeability	PN-EN 12207	class 4
Watertightness	PN-EN 12208	E1500
Wind resistance	PN-EN 12210	class C5
Operating forces	PN-EN 13115	n/a
Incorrect use	PN-EN 13115	n/a

Technical characteristics	Decalu88 Open-Out
Frame installation depth	88mm
Sash installation depth	88mm
Hardware	delivered with the system
Rebate height	25mm
Glazing bead height	23mm
Possible glass thickness:	12-62mm
Internal visible height of the frame	62mm
External visible height of the frame	45mm
External visible height of the cross beam	n/a
Exterior	flat
Interior	flat
Central gasket	ABS integrated
Glazing rubbers	TPE
Alloy	EN AW 6060 T66
Thermal break	Abs 49mm

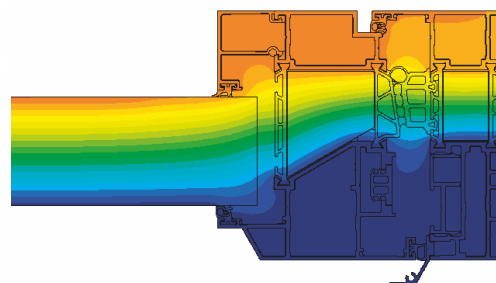
DECALU101 SCAND

Horizontally opening sash for easy maintenance



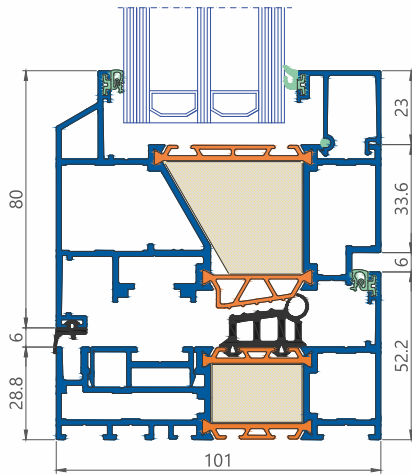
Scand windows (pivoting windows) provide a totally different perspective on the maintenance of buildings. The special design of friction hinges allows the window to rotate 160 degrees, giving comfortable access to the outside of the window. Ideal for efficient maintenance of the outside of high buildings

Uw from 0,76 W/m²*K



THERMAL SIMULATION





horizontal section

Technical performance		Decalu101 Scand
TEST	GLAZING	VALUE (SASH + FRAME)
PN-EN ISO 10077-1	Double glazing	Ug = 1.1 W/m ² K Ug = 1.0 W/m ² K
	Triple glazing	Ug = 0.6 W/m ² K Ug = 0.4 W/m ² K
Air permeability	PN-EN 12207	class 4
Watertightness	PN-EN 12208	E1800
Wind resistance	PN-EN 12210	class C5
Operating forces	PN-EN 13115	n/a
Incorrect use	PN-EN 13115	n/a

Technical characteristics	Decalu101 Scand
Frame installation depth	101mm
Sash installation depth	101mm
Hardware	delivered with the system
Rebate height	25mm
Glazing bead height	23mm
Possible glass thickness:	12-62mm
Internal visible height of the frame	52,2mm
External visible height of the frame	28,8mm
External visible height of the cross beam	85,8mm
Exterior	flat
Interior	flat
Central gasket	EPDM
Glazing rubbers	TPE
Alloy	EN AW 6060 T66
Thermal break	Abs 49mm

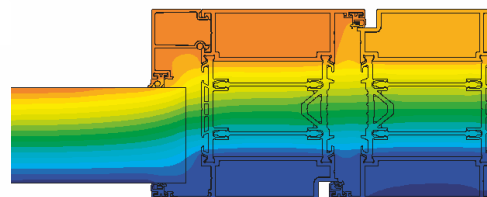
DECALU88 DOORS

Hidden functionality and unique appearance



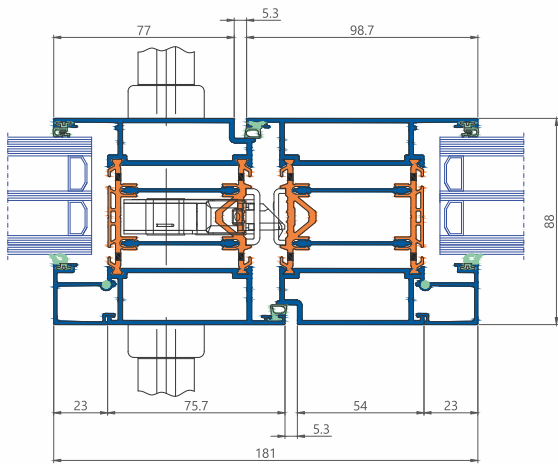
The Decalu88 Doors system is a patented profile technology with compensation thermal strips. It provides slim frames with wings that perfectly compensate for deformations from intense sunlight in the summer or low temperatures in the winter. The offer also includes an industrial visual line- "steel look". The beauty of panel solutions is emphasized by LED lighting mounted in the frame, the security of entering the house is ensured by an infrared barrier also mounted in the frame. Roller hinges specially designed for this system guarantee comfort and durability. The system is fully compatible with the Decalu88 series.

U_w from 0,87 W/m²*K

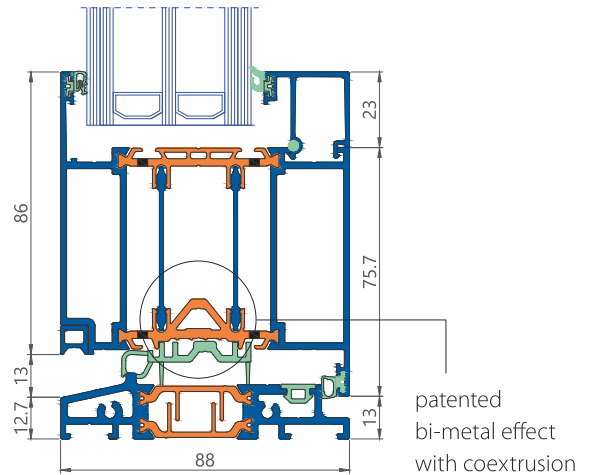


THERMAL SIMULATION





horizontal section



vertical section

Technical performance		Decalu88 Doors
TEST	GLAZING	VALUE (SASH + FRAME)
PN-EN ISO 10077-1	Double glazing	U _g = 1.1 W/m ² K U _g = 1.0 W/m ² K
	Triple glazing	U _g = 0.6 W/m ² K U _g = 0.4 W/m ² K
Air permeability	PN-EN 12207	class 4
Watertightness	PN-EN 12208	450 pa
Wind resistance	PN-EN 12210	class C4
Operating forces	PN-EN 13115	n/a
Incorrect use	PN-EN 13115	n/a

Technical characteristics	Decalu88 Doors
Frame installation depth	88mm
Sash installation depth	88mm
Hardware	U-shaped locking plates
Rebate height	25mm
Glazing bead height	23mm
Possible glass thickness:	12-62mm
Internal visible height of the frame	40mm, 52,7mm, 63mm, 75,7mm
External visible height of the frame	40mm, 52,7mm, 63mm, 75,7mm
External visible height of the cross beam	66mm, 80mm, 94mm
Exterior	flat
Interior	flat
Central gasket	n/a
Glazing rubbers	TPE
Alloy	EN AW 6060 T66
Thermal break	ABS 49mm with bi-metal effect

(*) U-Value calculated on the basis of a door measuring 1050 x 2100mm (WxH)

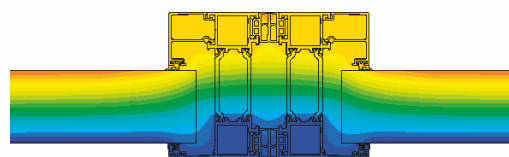
DECALU88 FOLDING DOORS

Outdoor living at its best

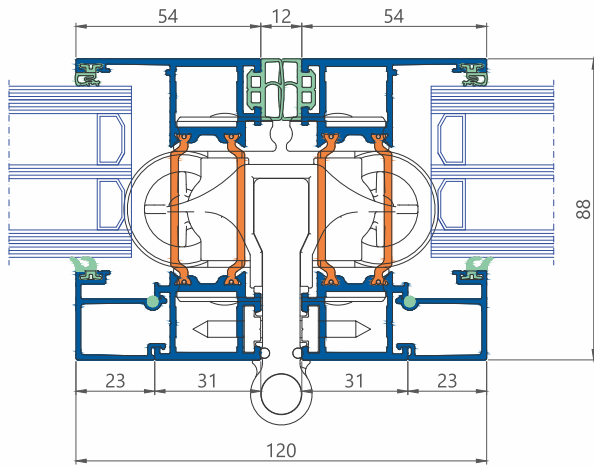


Folding door systems provide the highest level of comfort in contact with the outside. In sunny days they allow you to enjoy unlimited contact with the terrace, garden, conservatory or swimming pool, whilst raining it ensures a durable and secure barrier is in place. In the Decalu88 folding door system, the maximum sash weight can be 150 kg, which allows for the creation of even larger openings. In the closed position, one sash can also be used as a door.

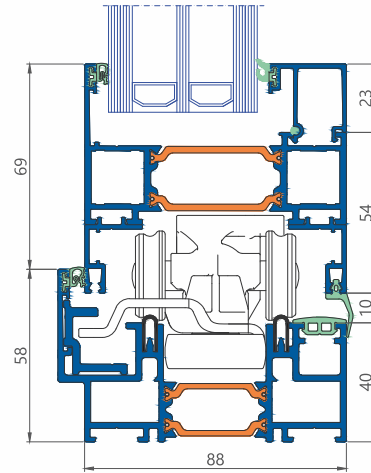
U_w from 0,68 W/m²*K



THERMAL SIMULATION



horizontal section



vertical section

Technical performance		Decalu88 Folding Doors	
TEST	GLAZING		VALUE (SASH + FRAME)
PN-EN ISO 10077-1	Double glazing	Ug = 1.1 W/m ² K Ug = 1.0 W/m ² K	Uw = 1.22 W/m ² K * Uw = 1.14 W/m ² K *
	Triple glazing	Ug = 0.6 W/m ² K Ug = 0.4 W/m ² K	Uw = 0.83 W/m ² K * Uw = 0.68 W/m ² K *
Air permeability	PN-EN 12207		class 4
Watertightness	PN-EN 12208		450 Pa
Wind resistance	PN-EN 12210		class C2
Operating forces	PN-EN 13115		class 2
Incorrect use	PN-EN 13115		n/a

Technical characteristics	Decalu88 Folding Doors
Frame installation depth	97mm
Sash installation depth	88mm
Hardware	delivered with the system
Rebate height:	25mm
Glazing bead height	23mm
Possible glass thickness:	12-62mm
Internal visible height of the frame	40mm, 58mm
External visible height of the frame	40mm, 58mm
External visible height of the cross beam	n/a
Exterior	flat
Interior	flat
Central gasket	n/a
Glazing rubbers	TPE
Alloy	EN AW 6060 T66
Thermal break	PET 44mm, PA 34mm, 44mm

(*) U-Value calculated on the basis of a folding door measuring 4000 x 3000mm (WxH)

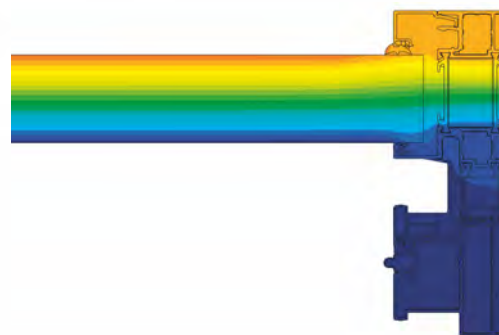
DECALU163 SLIDE

Move your perspective

Decalu163 SLIDE is a lift and slide system available in mono-, duo- and tripple-rail versions. The system also provides a solution with extended thresholds. The monorail version is available with internal and external glazing options. Glazing from the outside lets you create large glass panel system with sliding doors. The slim center post provides a modern look. Max. weight for one sliding sash in the system up to 400 kg.

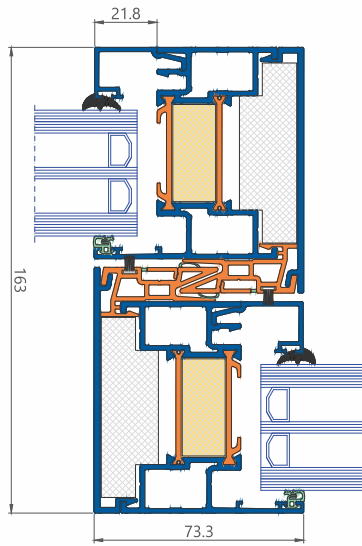


U_w from 0,76 W/m²*K

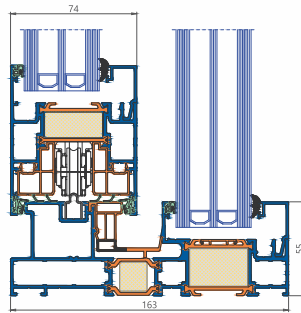


THERMAL SIMULATION

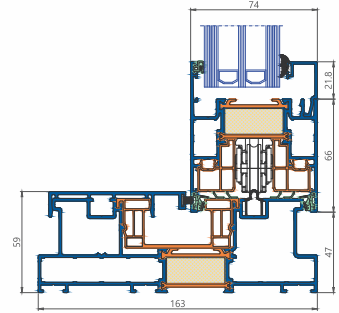




horizontal section



vertical section (monorail)



vertical section (duorail)

Technical performance		Decalu163 Slide
TEST	GLAZING	VALUE (SASH + FRAME)
PN-EN ISO 10077-1	Double glazing	U _w = 1.30 W/m ² K * U _w = 1.27 W/m ² K *
	Triple glazing	U _w = 0.93 W/m ² K * U _w = 0.76 W/m ² K *
Air permeability	PN-EN 12207	class 3
Watertightness	PN-EN 12208	class 9A
Wind resistance	PN-EN 12210	class C2
Operating forces	PN-EN 13115	n/a
Incorrect use	PN-EN 13115	n/a

Technical characteristics	Decalu163 Slide
Frame installation depth	163mm
Sash installation depth	74mm
Hardware	Siegenia
Rebate height:	25mm
Glazing bead height	23mm
Possible glass thickness:	18-58mm
Internal visible height of the frame	55mm
External visible height of the frame	55mm
External visible height of the cross beam	70mm
Exterior	flush-mounted possible
Interior	flush-mounted possible
Glazing rubbers	EPDM
Alloy	EN AW 6060 T66
Thermal break	PA 40mm

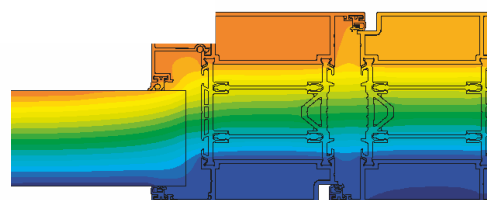
DECALU88 PANEL DOORS

Beauty is in the details



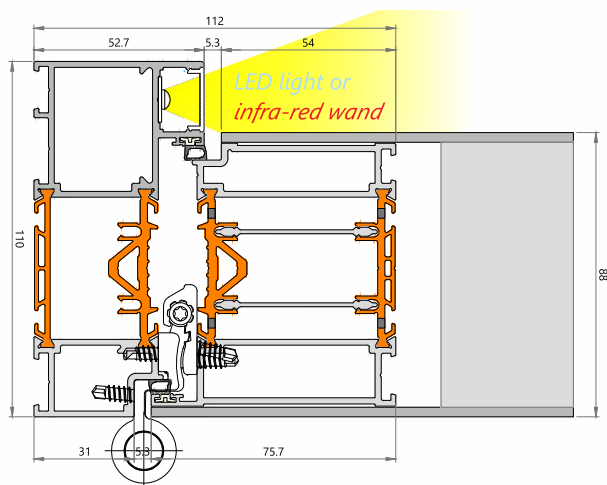
DECALU88 PANEL DOORS with SO EASY technology have compensated thermal seals as standard. The use of this solution causes that the deformation of the door structure heated in summer and frozen in winter is significantly minimized. The SO EASY thermal gasket assembly has been patented. Solid fastening of locks and fittings in the thermal space provides unmatched aesthetics of our panel solutions. The frame can use LED backlight and infrared barriers. Rollenband hinges, specially designed for the DECALU88 PANEL DOOR system, in contrast to existing products on the market, are fastened with screws, do not require profile processing before installation and do not „thermally bridge“. The system has optimal thermal properties (in accordance with Zero Energy 2020 regulations), and due to the reduced number of components, production is easy and fast. DECALU88 PANEL DOORS solutions are available in many visual lines, in classic and industrial style.

Ud from 0,73 W/m²*K

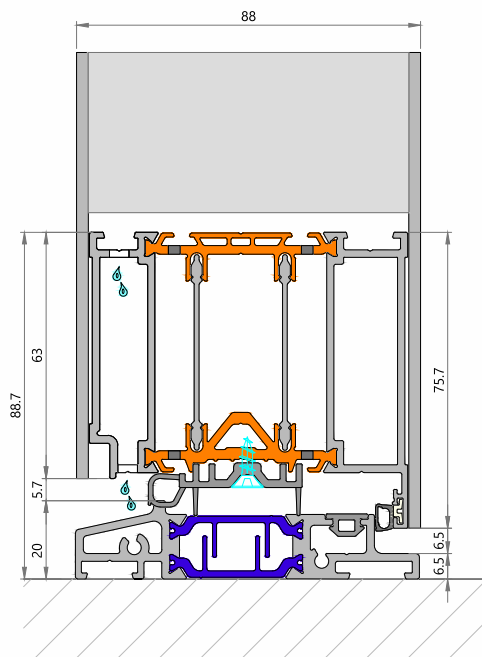


THERMAL SIMULATION





horizontal section



vertical section

Technical performance		Decalu88 Doors
TEST	PANEL	WARTOŚĆ (SKRZYDŁO + RAMA)
PN-EN ISO 10077-1		Ud = 0.73 W/m ² K*
Air permeability	PN-EN 12207	class 3
Watertightness	PN-EN 12208	class 6A (250 Pa)
Wind resistance	PN-EN 12210	class C5 (2000 Pa)
Operating forces	PN-EN 12217	class 3
Strenght	PN-EN 1192	class 4

Technical characteristics	Decalu88 Doors
Frame installation depth	88mm
Sash installation depth	88mm
Hinges	Aluminum roller hinges Rollenband AT
Panel	double-sided panel (2 x aluminum 2mm thick + 2 x XPS 40mm thick)
Exterior	flat
Interior	flat
Central gasket	n/a
Alloy	EN AW 6060 T66
Thermal break	ABS 49mm with bi-metal effect





SAMPLE PANEL DOORS DESINGS

WESTA FP

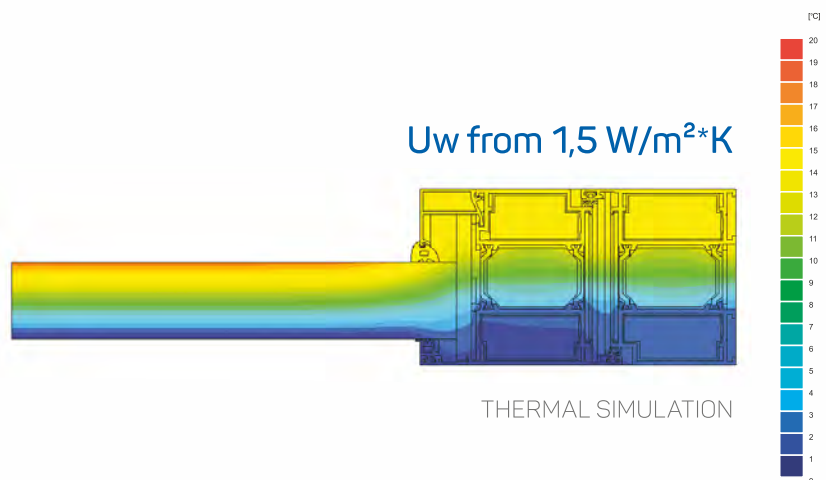
Safety first

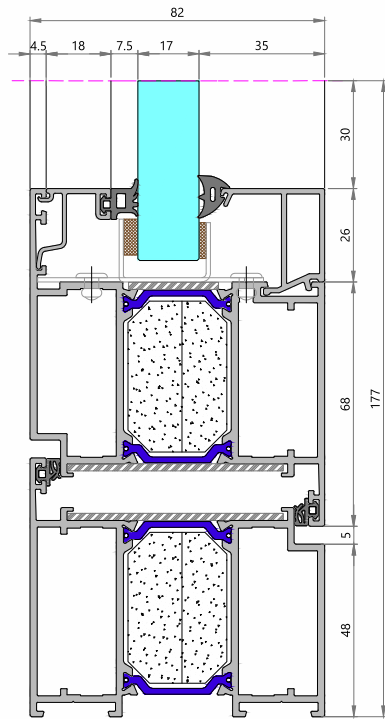
The system is available in fire resistance classes:
EI₁/EW 30, EI₂/EW 30, EI₁/EW 60, EI₂/EW 60, Sa/S₂₀₀



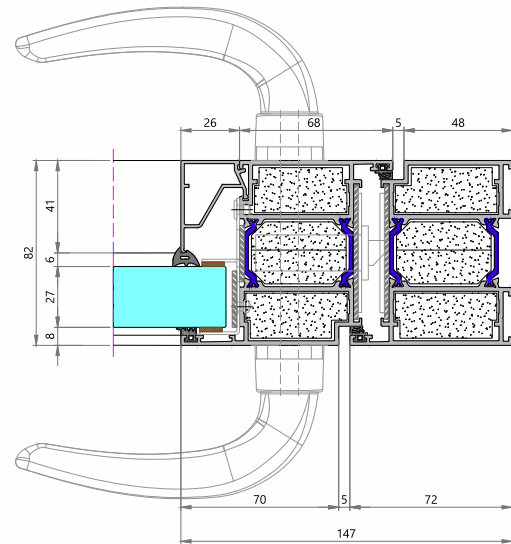
WESTA FP is the highest stability of fire resistance. The asymmetrical construction with glass clips on the inside provides visibility compatible with other classless systems. Thanks the use of two-chamber fire protected glass, the whole structure has the highest thermal properties for this type of product - WESTA FP is the warmest fire protection system on the market.

As all systems based on **So Easy** technology, WESTA FP enables a saving between 20% & 40% in the time needed for fabrication.





horizontal section



vertical section

Parametry techniczne		WESTA FP EI 60
TEST	GLAZING	VALUE (SASH + FRAME)
PN-EN ISO 10077-1	$U_g = 0,8 \text{ W/m}^2\text{K}$	$U_w = 1,5 \text{ W/m}^2\text{K}$
Fire resistance		EI/EW 30, EI ₂ /EW 30, EI ₁ /EW60, EI ₂ /EW 60, Sa/S ₂₀₀

Charakterystyka techniczna		WESTA FP
Frame installation depth		82mm
Sash installation depth		82mm
Maximum dimension		single-leaf door 1300 x 2500mm double-leaf door 2400 x 2500mm
Maximum glazing package		60mm
Door type		with a warm threshold with a brush with automatic threshold
Assortyment		<p>External doors</p> <p>External doors for use on emergency and emergency exits</p> <p>External and internal smoke-tight doors</p> <p>Internal doors</p> <p>Internal doors for use on emergency and emergency exits</p> <p>Internal and external walls</p> <p>Technical windows and arch constructions with ventilation, evacuation and emergency solutions in the full fitting and dimension series, transoms, non-transparent panels</p>

QUALITY CONTROL

Internal inspections

Our experts check the quality of the profiles on a daily basis. They test all characteristics of the raw materials, the extruded profiles and the finished window and door systems in accordance with the strictest European standards. Dimensions, colour, thermal stability, corner joints and compositions are verified at regular intervals.

Finished windows and doors are checked for air permeability, wind resistance and watertightness. These strict internal inspections ensure the exceptional quality of the Deceuninck profiles.

Proven quality

Deceuninck always undertakes to have its products certified even though this is not legally required. This demonstrates that Deceuninck attaches great importance to quality. Numerous approvals from various bodies, including from the Belgian Union for Technical Approval in Construction (BUtgb), the so-called ATG approvals, as well as KOMO certificates issued by Kiwa and SKG, are the best proof of this. An overview of all technical approvals at our disposal can be found on the website.

Certified product and installation

Mandated accredited certification bodies, such as Kiwa in Belgium, exercise external control over the conformity of production with the published approval at a specified frequency. Within this scope, quality certification agency Kiwa has developed an industry-specific quality label (SSK) in collaboration with Deceuninck. This quality label goes way beyond the European CE standard and provides even greater certainty that both the production (SSK 2001) and the installation (SSK 2002) of the window and door systems take place in a skilful manner.

The scope of the accreditation is extended at regular intervals. This ensures that we continue to comply with the increasingly strict market demands.







INNOVATION



ECOLOGY



DESIGN

Building a sustainable home

Deceuninck's commitment to the fields **innovation**, **ecology** and **design** gives us a clear objective: **building a sustainable home**. A house with a **better energy efficiency** and a **pleasant appearance**.

Deceuninck uses advanced materials worldwide and allows the manufacturer to produce products with a **long lifespan** and **high insulation value** requiring **little maintenance** and which are **100% recyclable**. Moreover, we can build a better world thanks to our values for our partners and our end users.

<p>WINDOWS & DOORS</p> <hr/> <p>PVC Our profiles are characterised by a perfect balance between energy efficiency and comfort. We offer you an outstanding comprehensive solution for your windows, doors and shutters with excellent thermal and acoustic characteristics in a variety of colours.</p>	<p>GARDEN SOLUTIONS</p> <hr/> <p>TWINSON The Twinson composite decking and fencing solutions are made to last an eternity. They fit in with your home in a natural and harmonious manner and guarantee real added value.</p>	<p>VENTILATION</p> <hr/> <p>ALUMINIUM Deceuninck's innovative ventilation systems enable you to manage air quality perfectly. Our hi-tech solutions combine functionality, aesthetics and sustainability to increase your living comfort and offer you an easily manageable indoor climate.</p>
<p>ALUMINIUM Ultimate sustainability and ecofriendliness? Our aluminium profiles are 100% recyclable. The addition of PVC furthermore ensures a higher insulation value.</p>	<p>ROOF & FACADE</p> <hr/> <p>PVC - ALU - TWINSON Our wall cladding and roofline systems consist of PVC, aluminium and the unique Twinson material that has been certified by PEFC. The exterior of your home will look great for many years without needing a paint job. The materials are easy to install (even with standard equipment) and combine elegance with ease of maintenance.</p>	<p>INTERIOR APPLICATIONS</p> <hr/> <p>PVC Deceuninck offers you a stylish and contemporary range of wall and ceiling coverings, window cills and plinths. Changing your interior has never been easier.</p>

YOUR DECEUNINCK PARTNER

The certified Deceuninck partners are part of one network of distributors who make it a matter of honor to deliver high quality work. This network guarantees you a correct installation and a high-quality customer service, without a doubt an added value for your Deceuninck product.

PUT YOUR STAMP HERE

deceuninck

SO EASY SYSTEM sp. z o.o.

ul. Duńska 4, 05-152 Czosnów

CONTACT T: +48 22 732 59 00 F: +48 22 732 59 99 | www.deceuninck.com | www.soeasysystem.com